

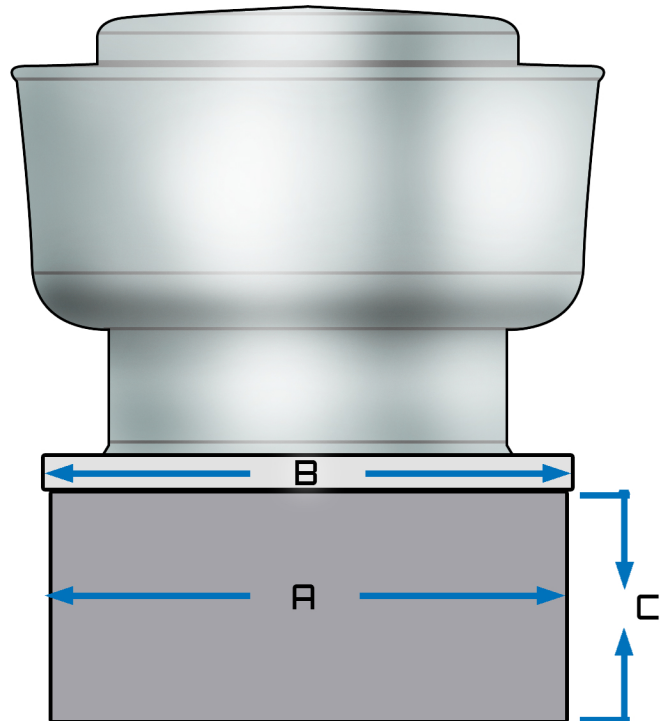


Typical Fan Style

Duct Width (A) _____

Fan Base (B) _____

Height of Duct (C) _____



Customer Name _____

Location Address _____

Phone Number _____

Email Address _____

Please complete form and email with your order to ensure an accurate quote and product delivery.

Email: info@restaurantaccessoriesstorebycjs.com
www.restaurantaccessoriesstorebycjs.com